



# 90.438 B

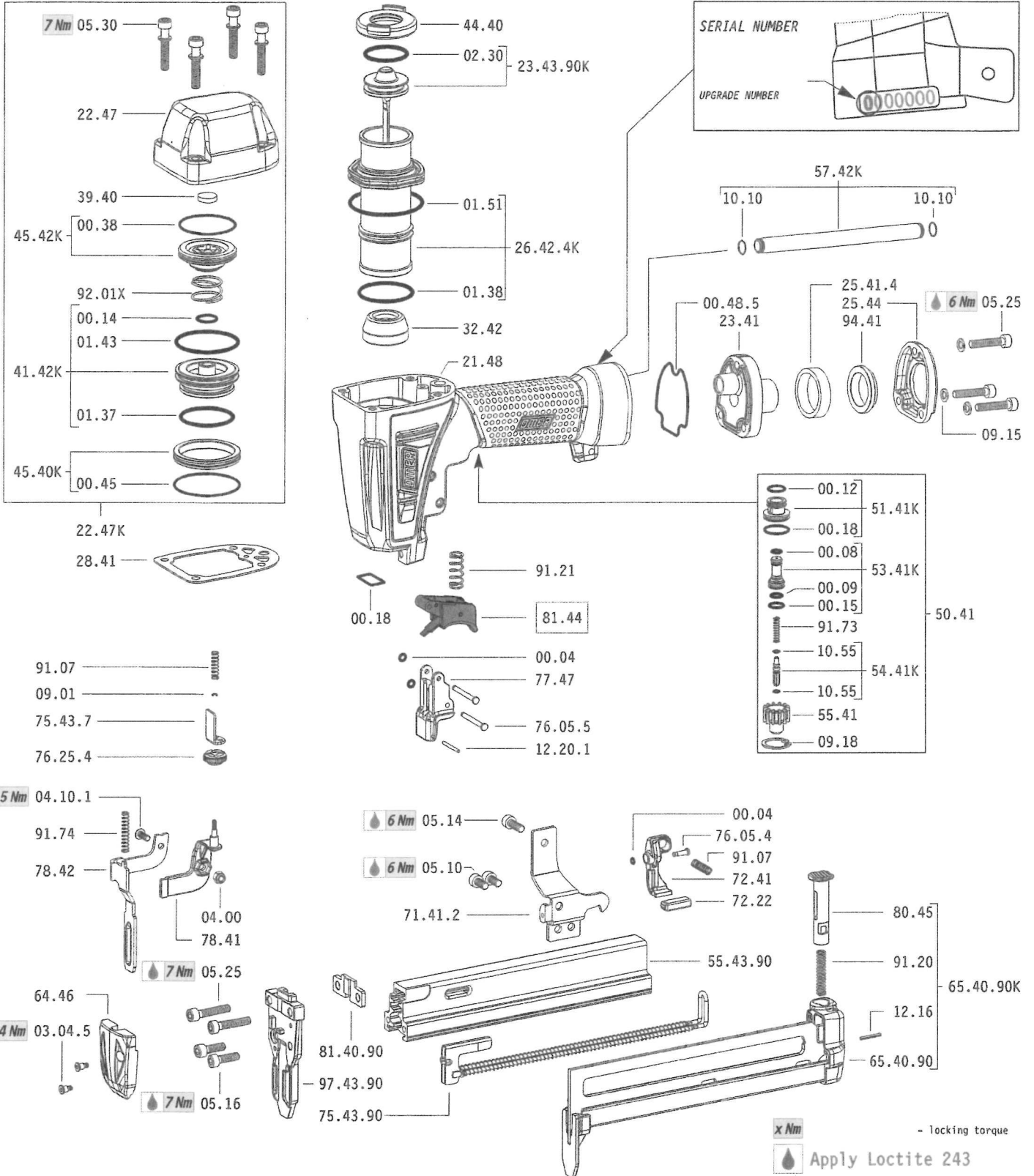
## USE, MAINTENANCE & SPARE PARTS MANUAL



TECHNICAL DATA		
Lengths mm	15 ÷ 40	<b>Type of Fastener</b>  <b>90</b> 
Magazine capacity	105	
Operating pressure	5 ÷ 7.5 bar 70 ÷ 105 psi	
Air consumption litres/stroke	0.50	
Weight kg	1.47	
Dimensions mm	238 x 64 x 242	
Sound pressure in operator's position	86 dB(A)	
Sound power emitted	94 dB(A)	
Vibratory emissions on handle	3.10 m/s <sup>2</sup>	

July 2023

# SPARE PARTS



# EQUIPMENT

Single sequential actuation



81.44.1



07.25



07.30



07.40



D01



D02

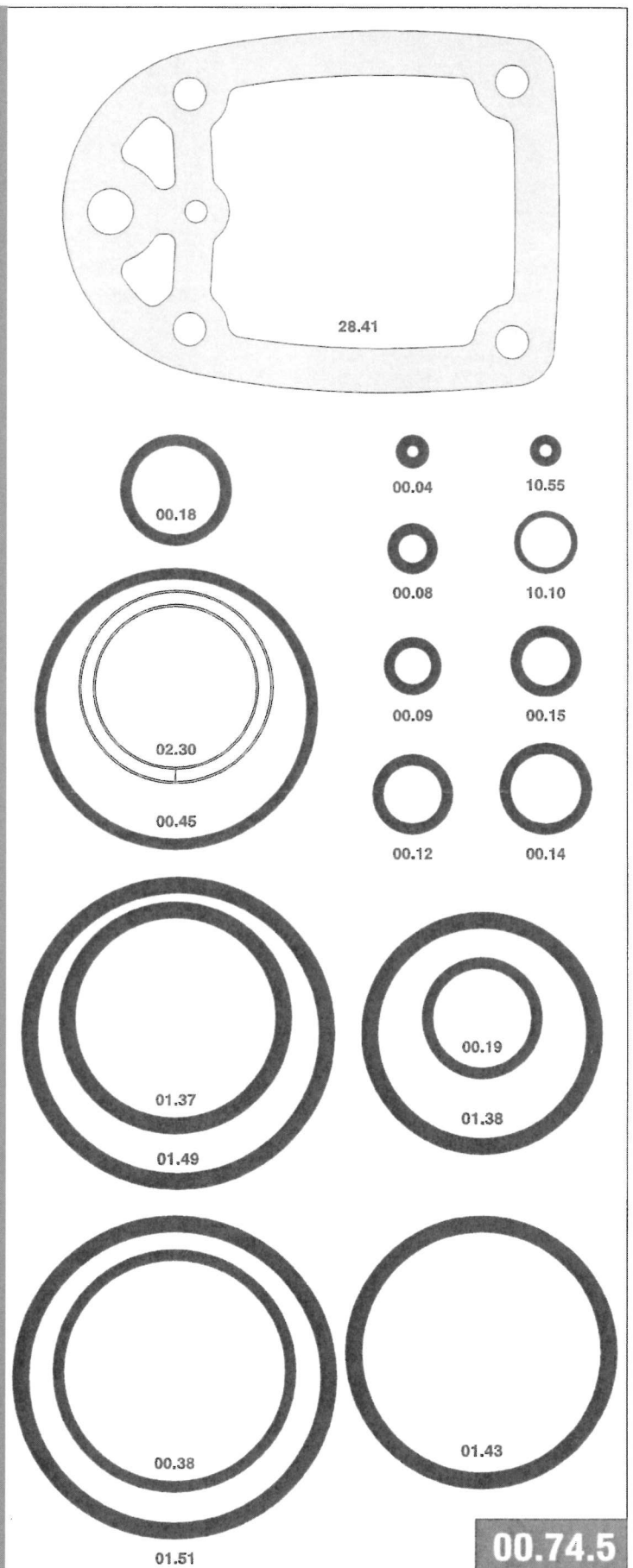
## 90.438 B

July 2023

# SPARE PARTS

Cod.	Description
00.04	O-Ring
00.08	O-Ring
00.09	O-Ring
00.12	O-Ring
00.14	O-Ring
00.15	O-Ring
00.18	O-Ring
00.38	O-Ring
00.45	O-Ring
00.48.5	Gasket
01.37	O-Ring
01.38	O-Ring
01.43	O-Ring
01.51	O-Ring
02.30	O-Ring
03.04.5	Screw
04.00	Nut
04.10.1	Screw
05.10	Screw
05.14	Screw
05.16	Screw
05.25	Screw
05.30	Screw
07.25	Hex. bar wrench
07.30	Hex. bar wrench
07.40	Hex. bar wrench
09.01	Elastic ring
09.15	Washer
09.18	Elastic ring
10.10	O-Ring
10.55	O-Ring
12.16	Pin
12.20.1	Pin
21.48	Body
22.47K	Head Kit
22.47	Head
23.41	Case back
25.41.4	Silencer
25.44	Exhaust deflector
26.42.4K	Cylinder Kit
28.41	Gasket
32.42	Bumper
39.40	Gasket
41.42K	Valve Kit
44.40	Gasket
45.40K	Ring Kit
45.42K	Ring Kit
50.41	Trigger valve assy
51.41K	Valve housing Kit
53.41K	Valve piston Kit
54.41K	Trigger valve Kit
55.41	Bush
57.42K	Exhaust pipe Kit
64.46	Hold down
71.41.2	Support
72.22	Slider stop
72.41	Slider stop
75.43.7	Referral safety
76.05.4	Pin
76.05.5	Pin
76.25.4	Controller
77.47	Safety guide
78.41	Safety
78.42	Safety
80.45	Trigger
81.44	Trigger
81.44.1	Trigger
91.07	Spring
91.20	Spring
91.21	Spring
91.73	Spring
91.74	Spring
92.01X	Spring
94.41	Bushing
23.43.90K	Driver
55.43.90	Magazine
65.40.90K	Slider Kit
65.40.90	Slider
75.43.90	Pusher
81.40.90	Nose
97.43.90	Nose plate
D01	Oiler
D02	Protective goggles

## O-RINGS



**90.438 B**

cod. 1447030

July 2023